

FIXED CAPACITORS TYPE FZ



INSTALLATION INSTRUCTIONS

Capacitors can be installed in arbitrary position. Minimal distance between units or between unit and wall is 50 mm. Earthing clamp M8 on the lid of case is necessary to tight by max twisting moment of 4Nm. Connecting cables are mounted to threaded studs M6 or M12 by max torque of 3 Nm or 8Nm.

TECHNICAL DATA

- | | |
|---------------------|---------------------------|
| ▪ Installation | holes diameter 11 x 18 mm |
| ▪ Case | rectangular steel case |
| ▪ Surface treatment | powder paint RAL 7035 |
| ▪ Terminals | M6, M8 or M12 |
| ▪ IP | IP 40 (IP 42 with cover) |

THREE-PHASE CAPACITORS 440 V – 50 Hz DRY TYPE

Type	Power (kVAr)	Current (A)	Capacitance (μF)	Dimensions WxDxH/(*) (mm)	Weight (kg)	Drawing n°
FZ2025	25	32,8	3 x 137,0	117x360x370/440	6,9	5
FZ2030	30	39,4	3 x 364,4	117x360x370/440	8,9	5
FZ2050	50	65,6	3 x 274,0	125x350x420/480	12,0	6
FZ2060	60	78,7	3 x 328,8	125x440x420/490	14,0	7
FZ2080	80	105,0	3 x 438,4	228x440x420/490	19,0	8

(*) height including cap

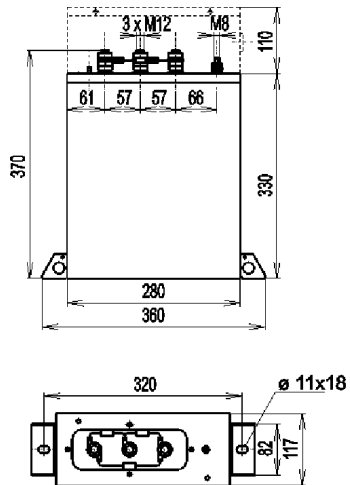
THREE-PHASE CAPACITORS 525 V – 50 Hz DRY TYPE

Type	Power (kVAr)	Current (A)	Capacitance (μF)	Dimensions WxDxH/(*) (mm)	Weight (kg)	Drawing n°
FZ4030	30	33,0	3 x 115,0	117x360x370/440	8,9	5
FZ4040	40	44,0	3 x 154,0	117x360x370/440	8,9	5
FZ4050	50	55,0	3 x 192,5	125x440x420/490	14,0	7
FZ4080	80	88,0	3 x 308,0	228x440x420/490	19,0	8
FZ40100	100	110,0	3 x 385,0	228x440x420/490	21,0	8

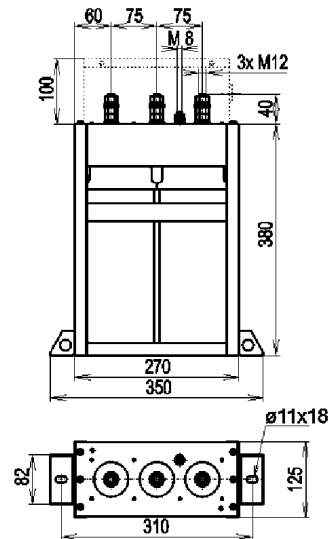
(*) height including cap

TECHNICAL DRAWINGS

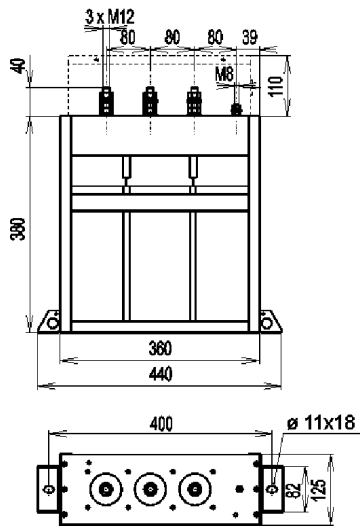
Drawing 5



Drawing 6



Drawing 7



Drawing 8

